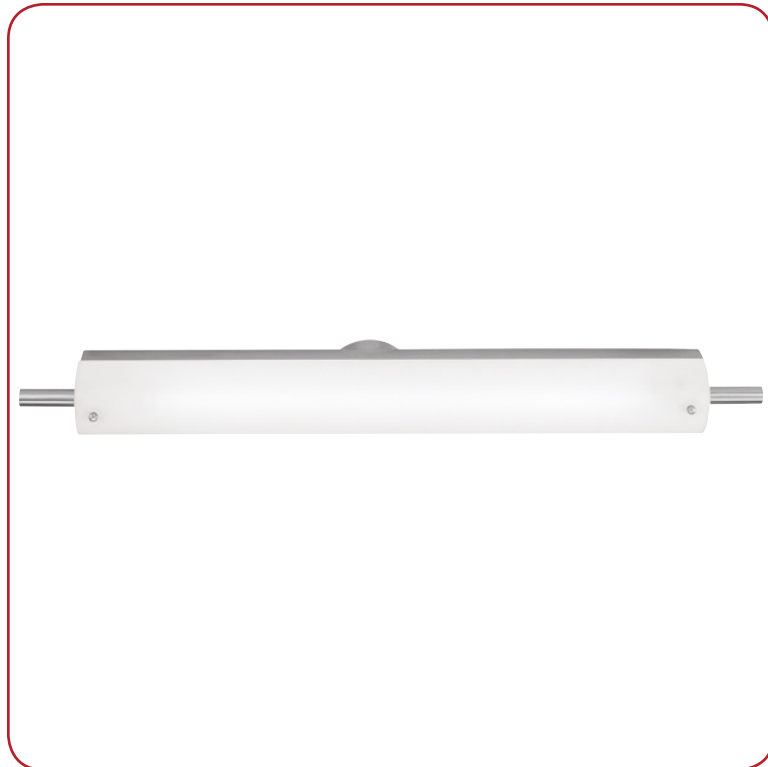


Model No :: **31002LEDD-BS/OPL**
 Name :: Vail



Project Name :: _____
 Location :: _____
 Type :: _____
 Quantity :: _____
 Notes :: _____

Product Information

Product ID :: 31002
 UPC Code :: 6.41594E+11
 Mounting Type :: Wall
 Finish :: Brushed Steel
 Diffuser :: Opal
 Alt. Finishes :: Brushed Steel (BS)
 Alt. Diffusers :: Opal (OPL)

Product Dimensions

Fixture	Canopy
Length ::	Length :: 25.75
Width :: 30.25	Width :: 3
Diameter ::	Diameter ::
Extension :: 3.25	Height :: 1.5
Height :: 4.25	
Overall Height ::	



Technical Specifications

Qualifications

Location Rating :: Damp
 Certification :: UL Listed (US/Canada)
 IES File ::
 JA8 Compliant :: Yes
 Energy Star :: Yes
 ADA Compliant :: Yes
 Marine Grade :: No
 Emergency Lighting :: No
 Warranty :: 1 Year Limited

Specifications

Frame Material :: Metal
 Diffuser Material :: Glass
 Voltage :: 120v
 Lamping Type :: LED SSL (DLED)
 Lamping Base :: SSL
 Lamp Quantity :: 1
 Lamp Wattage :: 30 W
 Total Wattage :: 30 W
 Lamps Included :: Yes
 J-Box Type :: Standard

Photometrics

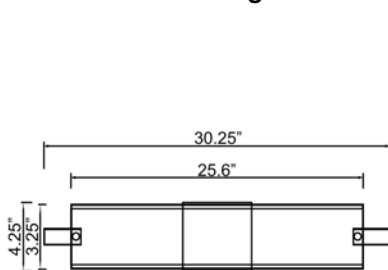
CCT :: 3000 K
 CRI :: 90
 Wattage :: 30 W
 Nominal Lumens :: 3040
 Delivered Lumens :: 2517

Recommended Dimmers

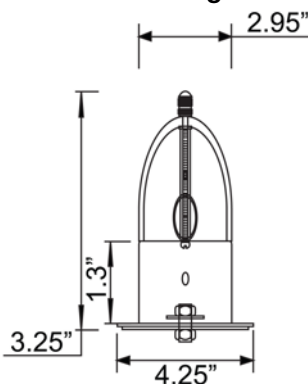
(ELV) LUTRON Diva DVELV-300P; (ELV) LUTRON Diva DVELV-303P; (ELV) LUTRON Skylark SELV-300P; (TRIAC) LUTRON Diva DV-600P

Additional Items :: 0

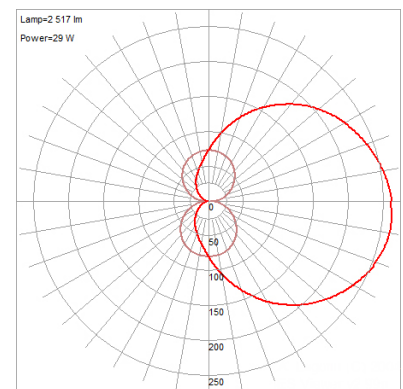
Line Drawing #1



Line Drawing #2



IES File



Toll Free 800-828-5483 • www.AccessLighting.com

14410 Myford Road, Irvine, CA 92606

The information provided is subject to change without notice. ©2020 Access Lighting Corporation. All Rights Reserved
 Rev. 202105 Filename:: 31002LEDD-BS_OPL.pdf

