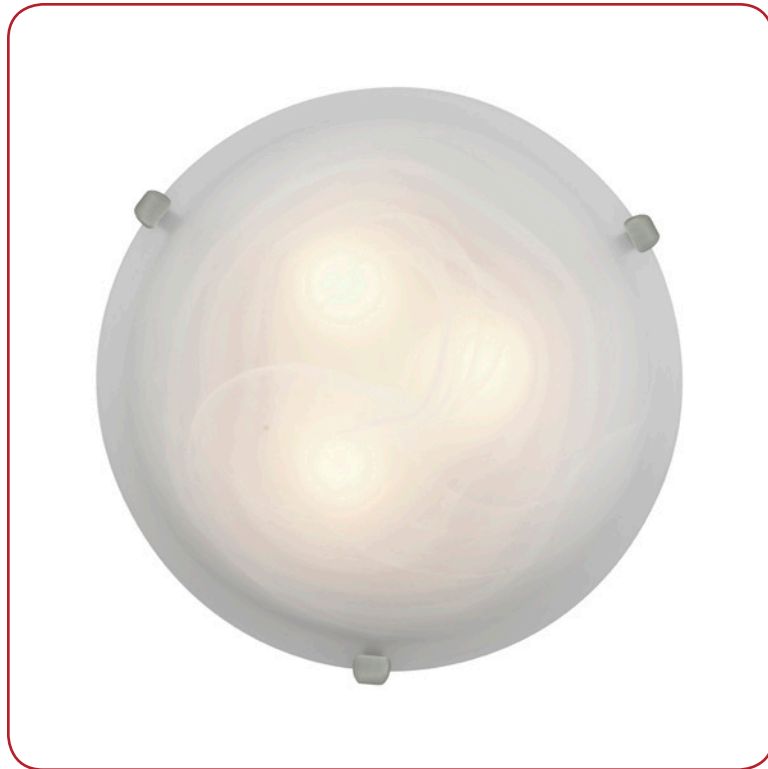


Model No :: **23019GU-BS/ALB**  
 Name :: Mona



Project Name :: \_\_\_\_\_  
 Location :: \_\_\_\_\_  
 Type :: \_\_\_\_\_  
 Quantity :: \_\_\_\_\_  
 Notes :: \_\_\_\_\_

**Product Information**

Product ID :: 23019  
 UPC Code :: 6.41594E+11  
 Mounting Type :: Ceiling  
 Finish :: Brushed Steel  
 Diffuser :: Alabaster  
 Alt. Finishes :: Brushed Steel (BS); White (WH)  
 Alt. Diffusers :: Alabaster (ALB); White (WHT)

**Product Dimensions**

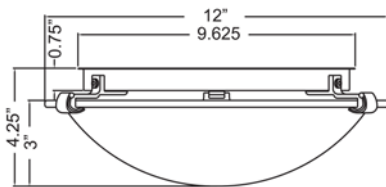
Fixture	Canopy
Length ::	Length ::
Width ::	Width ::
Diameter :: 12	Diameter ::
Extension ::	Height ::
Height :: 4.25	
Overall Height ::	



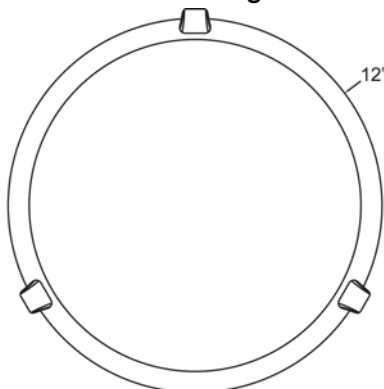
**Technical Specifications**

Qualifications	Specifications	Photometrics	Recommended Dimmers
Location Rating :: Damp	Frame Material :: Steel	CCT :: 0	0
Certification :: UL Listed (US/Canada)	Diffuser Material:: Glass	CRI :: 0	
IES File ::	Voltage :: 120v	Wattage :: 26 W	
JA8 Compliant :: No	Lamping Type :: Spiral (FL)	Nominal Lumens :: 0	
Energy Star :: No	Lamping Base :: GU-24	Delivered Lumens :: 0	
ADA Compliant :: No	Lamp Quantity :: 2	Additional Items :: 0	
Marine Grade :: No	Lamp Wattage :: 13 W		
Emergency Lighting :: No	Total Wattage :: 26 W		
Warranty :: 1 Year Limited	Lamps Included :: No		
	J-Box Type :: Standard		

**Line Drawing #1**



**Line Drawing #2**



**IES File**

Image Not Available

**Toll Free 800-828-5483 • www.AccessLighting.com**

14410 Myford Road, Irvine, CA 92606

The information provided is subject to change without notice. ©2020 Access Lighting Corporation. All Rights Reserved  
 Rev. 202105 Filename:: 23019GU-BS\_ALB.pdf

