

Model No :: **20012MG-BRZ/RFR**
 Name :: Neptune



Project Name :: _____
 Location :: _____
 Type :: _____
 Quantity :: _____
 Notes :: _____

Product Information

Product ID :: 20012
 UPC Code :: 6.41594E+11
 Mounting Type :: Wall
 Finish :: Bronze
 Diffuser :: Ribbed Frosted
 Alt. Finishes :: Bronze (BRZ); Satin (SAT)
 Alt. Diffusers :: Ribbed Frosted (RFR)

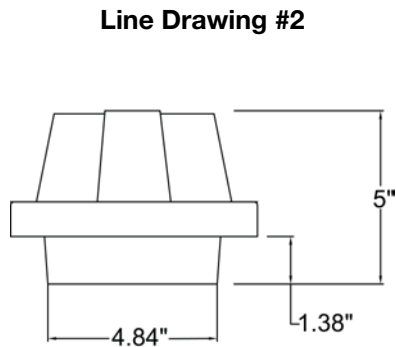
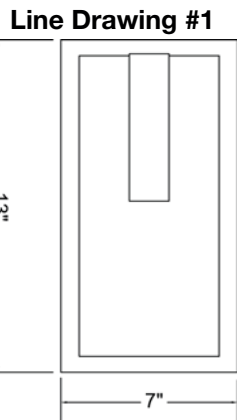
Product Dimensions

| Fixture | Canopy |
|-------------------|---------------|
| Length :: | Length :: 7 |
| Width :: 7 | Width :: 4.75 |
| Diameter :: | Diameter :: |
| Extension :: 5 | Height :: |
| Height :: 13 | |
| Overall Height :: | |



Technical Specifications

| Qualifications | Specifications | Photometrics | Recommended Dimmers |
|--|----------------------------|-----------------------|-----------------------------|
| Location Rating :: Wet | Frame Material :: Aluminum | CCT :: 0 | (TRIAC) Any Standard Dimmer |
| Certification :: UL Listed (US/Canada) | Diffuser Material :: Glass | CRI :: 0 | |
| IES File :: | Voltage :: 120v | Wattage :: 75 W | |
| JA8 Compliant :: No | Lamping Type :: A-19 (INC) | Nominal Lumens :: 0 | |
| Energy Star :: No | Lamping Base :: E-26 | Delivered Lumens :: 0 | |
| ADA Compliant :: No | Lamp Quantity :: 1 | Additional Items :: 0 | |
| Marine Grade :: Yes | Lamp Wattage :: 75 W | | |
| Emergency Lighting :: No | Total Wattage :: 75 W | | |
| Warranty :: 3 Year Limited | Lamps Included :: No | | |
| | J-Box Type :: Standard | | |



Toll Free 800-828-5483 • www.AccessLighting.com

14410 Myford Road, Irvine, CA 92606

The information provided is subject to change without notice. ©2020 Access Lighting Corporation. All Rights Reserved
 Rev. 202105 Filename:: 20012MG-BRZ_RFR.pdf

